

FEATURES

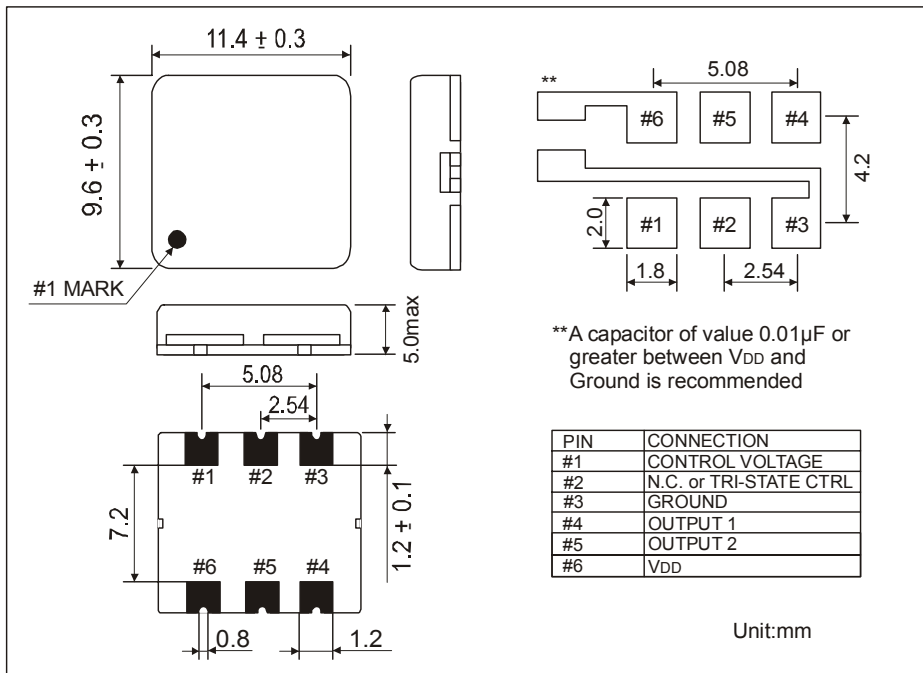
- HIGH RELIABILITY FOR LOW COST
- COMPLEMENTARY OUTPUT AVAILABLE
- WIDE FREQUENCY RANGE UP TO 700.0 MHz
- EXCELLENT JITTER PERFORMANCE
- CHEAPEST AVAILABLE SMD-VCXO IN METAL PACKAGE WITH PECL OUTPUT SIGNAL
- EXTENDED TEMPERATURE RANGE TO -40/+85°C AVAILABLE
- APPLICATIONS: FIBER CHANEL, GIGABIT ETHERNET, SDH/SONET, BROADBAND, TELECOM, ETC.

SERIES		M7317	
PACKAGE		SMD-METAL PACKAGE 11.4 x 9.6 x 5.0 mm	
FREQUENCY RANGE	5.0 VOLT	FUNDAMENTAL = 120.0 ~ 200.0 MHz	
	3.3 VOLT	PLL TECHNIQUE = 480.0 ~ 700.0 MHz	
FREQUENCY STABILITY	VS. TEMPERATURE	+50 ~ +100 ppm max.	
	VS. SUPPLY VOLTAGE	+5 ppm max.	
	VS. LOAD	+1 ppm max.	
	VS. AGING	+5 ppm max. / first year	
OPERATING TEMPERATURE RANGE		-10/+60°C ~ -40/+85°C	
STORAGE TEMPERATURE RANGE		-55/+125°C	
INPUT	VOLTAGE	+3.3 VDC +5%	
	CURRENT	100 mA max.	
OUTPUT	SYMMETRY	STANDARD	40/60%
		OPTION	45/55%
	SIGNAL		PECL
	RISE AND FALL TIME		1.5 ns max. (20% TO 80% PECL)
	"0" LEVEL		VDD-1.62 V max.
	"1" LEVEL		VDD-1.02 V min.
	LOAD	50 Ω to VDD-2VDC	
START-UP TIME		10 mS max.	
INPUT IMPEDANCE		50 kΩ min.	
PERIOD JITTER RMS		4 ps typ. @ 155.52 MHz	
		8 ps typ. @ 622.08 MHz	
CONTROL VOLTAGE RANGE		0 ~ 3.3 VDC	
CENTER VOLTAGE		1.65 VDC	
PULLABILITY		+50 ppm min.	
LINEARITY		10% max.	
SLOPE		POSITIVE	
PIN CONNECTION	PIN 1	CONTROL VOLTAGE	
	PIN 2	GROUND	
	PIN 3	OUTPUT	
	PIN 4	SUPPLY VOLTAGE	
OTHER PARAMETERS ARE AVAILABLE ON REQUEST / CREATE HERE YOUR SPECIFICATION			

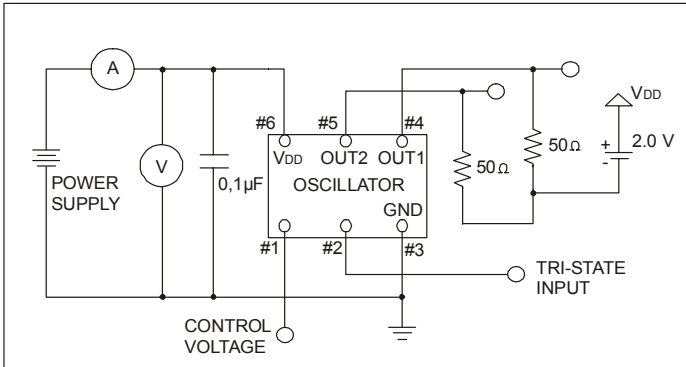
PART NUMBERING GUIDE

EXAMPLE	M7317-50-W-S-VX3-50-622.08MHz-T
SERIES	M7317
STABILITY VS. TEMPERATURE	BLANK = +/- 100 ppm
	50 = +/-50 ppm
	X = OTHER VALUE - PLEASE INDICATE YOUR REQUIRED VALUE
TEMPERATURE RANGE	BLANK = 0/+70°C
	N = -10/+60°C
	M = -20/+70°C
	W = -40/+85°C
	X = OTHER VALUE - PLEASE INDICATE YOUR REQUIRED VALUE
SYMMETRY	BLANK = 40/60%
	S = 45/55%
CONTROL VOLTAGE	VX3 = 0 ~ 3.3 V FOR 3.3 VOLT VERSION
PULLING RANGE	BLANK = +/-100 ppm min.
	50 = +/-50 ppm min.
	IF YOU REQUIRE ANOTHER VALUE PLEASE INDICATE THE REQUIRED VALUE
FREQUENCY	FREQUENCY IN MHz
TAPE AND REEL PACKAGE	-T

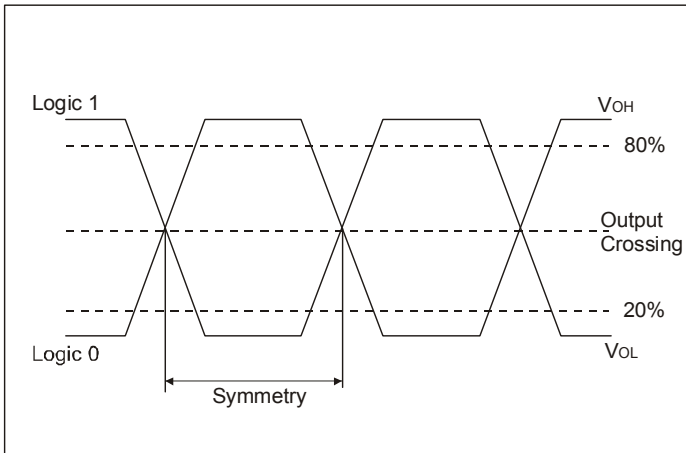
OUTLINE DRAWING OF M7317



TEST CIRCUIT FOR PECL TYPE M7317



OUTPUT WAVE FORM OF PECL



REFLOW SOLDER PROFILE

